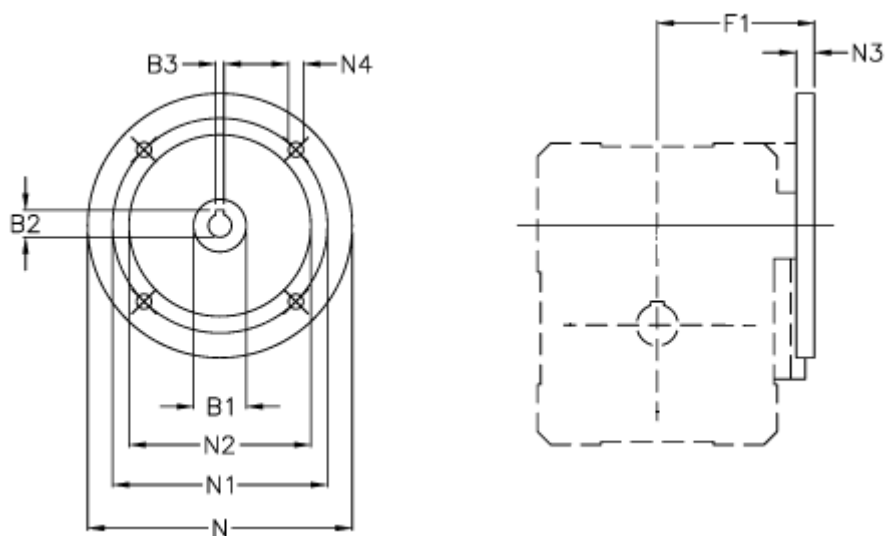


Article number: 3971192820020

Description: IEC flange W110 90B14

## Measures



F1 = 143

N = 140

N1 = 115

N2 = 95

N3 = 6.5

N4 = 9